

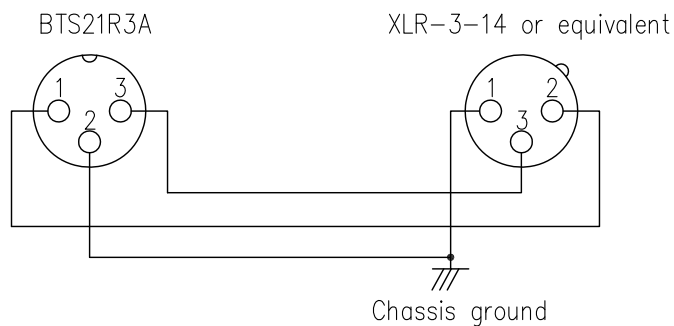
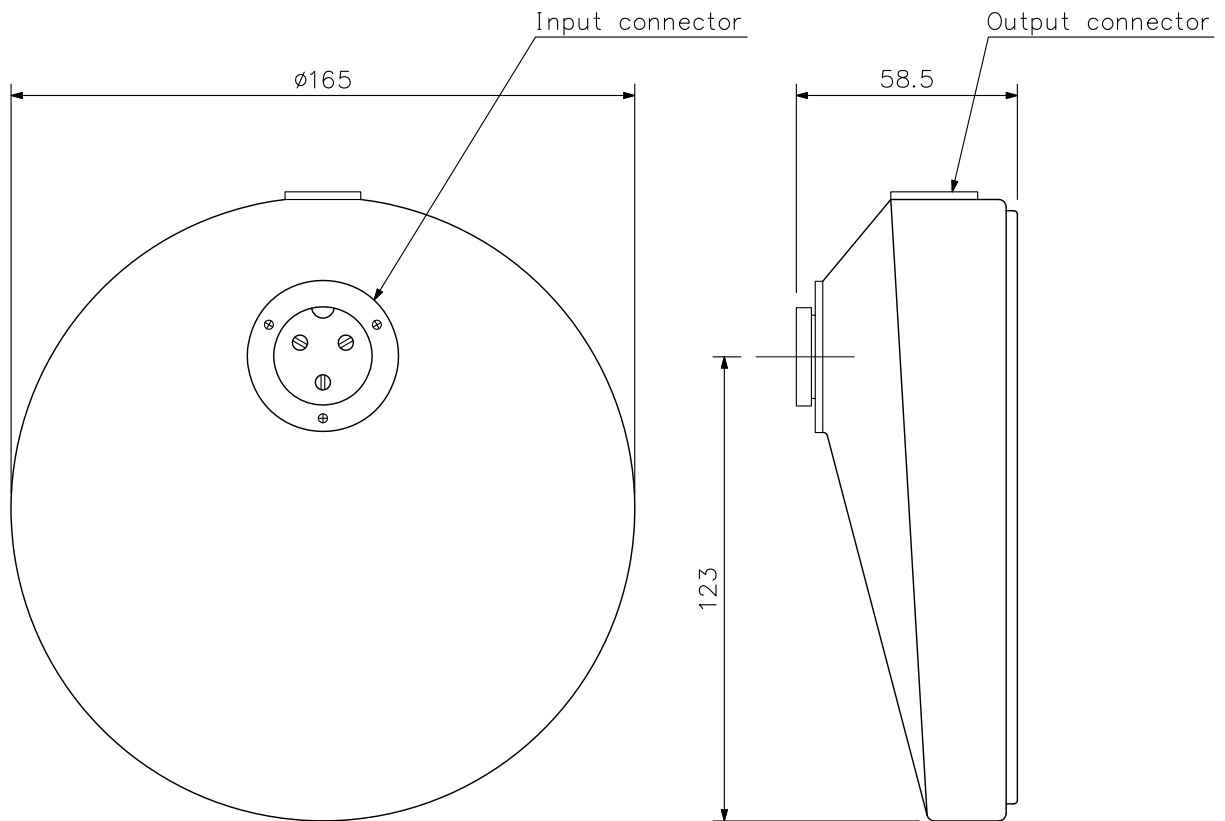
DESCRIPTION

A desktop microphone stand for gooseneck microphones (DM-524B and DM-524S).

SPECIFICATIONS

| | |
|------------------|--|
| Input Connector | BTS21R3A |
| Output Connector | XLR-3-14 or equivalent |
| Usable Connector | Input: BTS21R3B Output: XLR-3-11C or equivalent |
| Finish | Zinc die-casting, black, paint |
| Dimensions | ∅ 165 × 58.5 (H) mm |
| Weight | 2.3 kg |

APPEARANCE



UNIT: mm SCALE: 1/2