

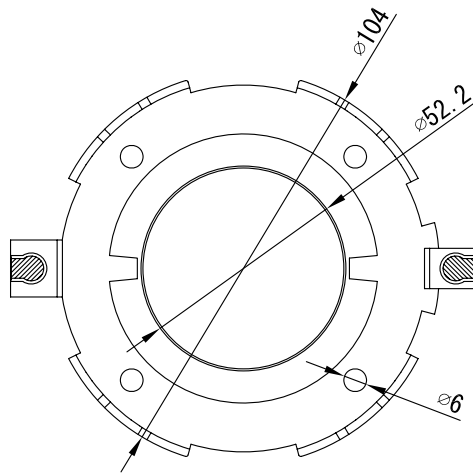
■ DESCRIPTION

TOA's DG-30DB AS is a speaker diaphragm that mainly part of horn speaker.  
 A designated by polyimide material, that can produce good quality sound and strong to power handling.

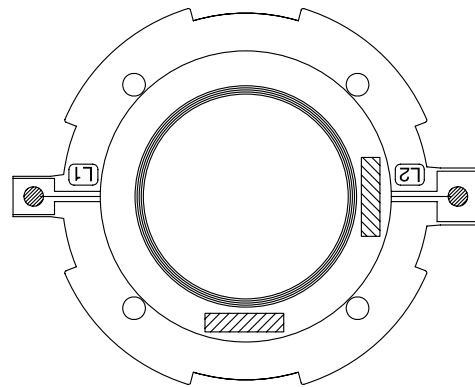
■ SPECIFICATION

Applicable driver unit	TU-631, TU-631M, TU-651, TU-651M, TC-651M TU-632 AS, TU-632M AS, TU-652 AS, TU-652M AS
Rated Input	50 W (When operated with TU-652 AS series)
Rated Impedance	16Ω (When operated TU-652 AS with TH-652 AS)
Sound Pressure Level	110 dB (1W, 1m ) (When operated TU-652 AS with JIS C 5504 standard horn)
Frequency Response	150 - 6,000Hz (When operated TU-652 AS with JIS C 5504 standard horn)
Dimensions	∅104 mm X 24 (D) mm (∅ 4.094" X 0.945")
Weight	24 g (0.052 lb)

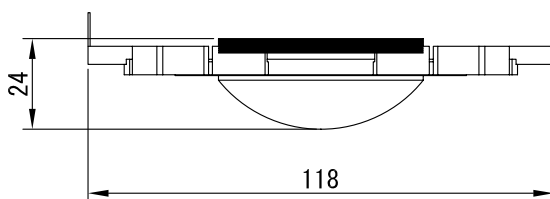
■ APPEARANCE



Bottom View



Top View



Side View

UNIT: mm Scale 1 / 2