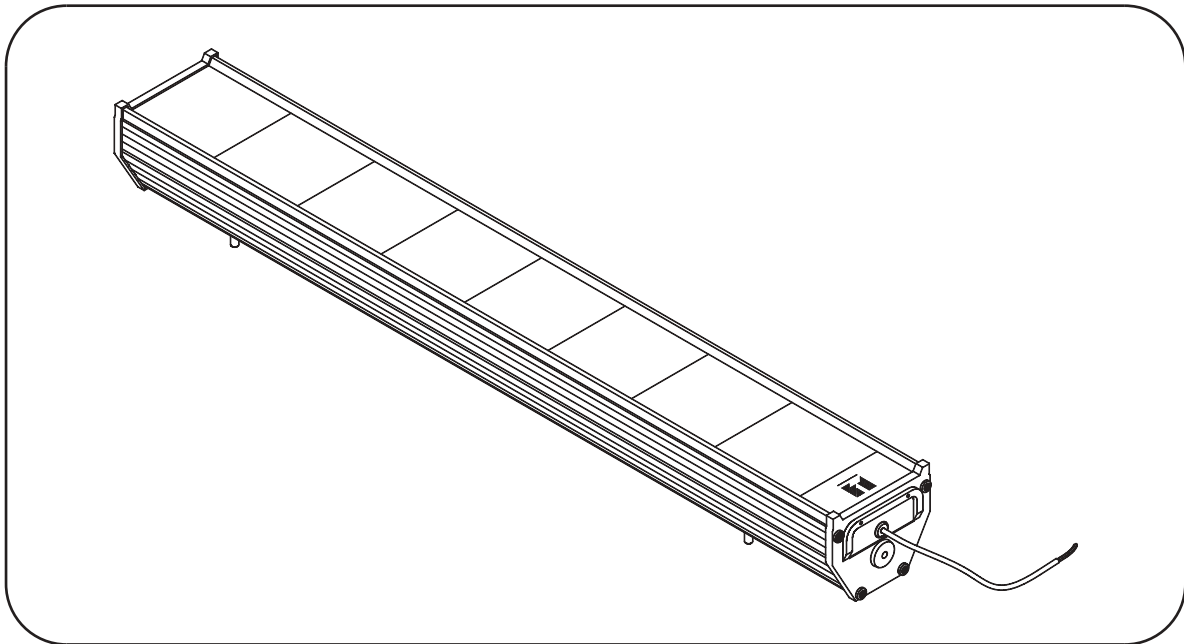


LONG RANGE SLIM ARRAY SPEAKERS

HA-1010 Q

Thank you for purchasing TOA's LONG RANGE SLIM ARRAY SPEAKERS.
Please carefully follow the instructions in this manual to ensure long, trouble-free use of your equipment.



1. SAFETY PRECAUTIONS

- Be sure to read the instruction manual in this section carefully before use.
- Make sure to observe the instruction in this manual as the convention of safety symbols and messages regarded as very important precautions are included.
- We also recommend you keep this instruction manual handy for future reference.

WARNING

Indicates a potentially hazardous situation which, if mishandled, could result in death or serious personal injury.

When Installing the Unit

- Install the speaker only in a location that can structurally support the weight of the speaker and the mounting bracket. Doing otherwise may result in the unit falling down and causing personal injury and/or property damage.

CAUTION

Indicates a potentially hazardous situation which, if mishandled, could result in moderate or minor personal injury, and/or property damage.

When Installing the Unit

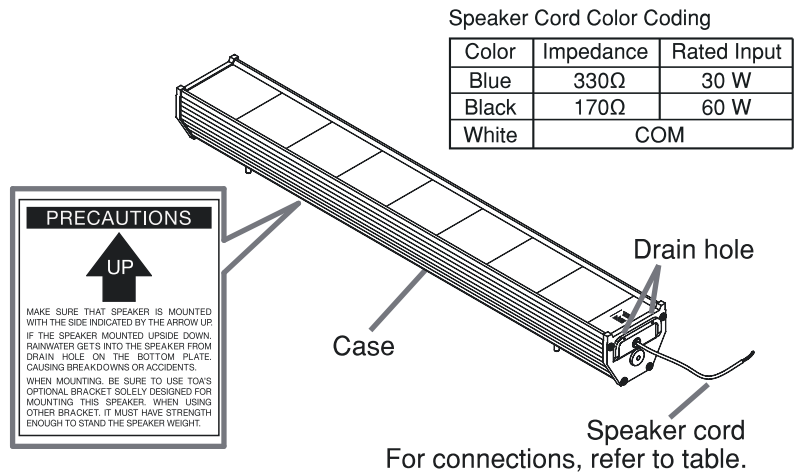
- Do not place heavy object on the speaker as this may cause it to fall or break which may result in personal injury and/or property damage. In addition, the object itself may fall off and cause injury and/or damage.
- Do not stand or sit on, nor hang down from the speaker as this may cause it to fall down or drop, resulting in personal injury and/or property damage.
- Do not operate the speaker for an extend period of time with the sound distorting. Doing so may cause the connected speakers to heat, resulting in a fire.

2. FEATURES

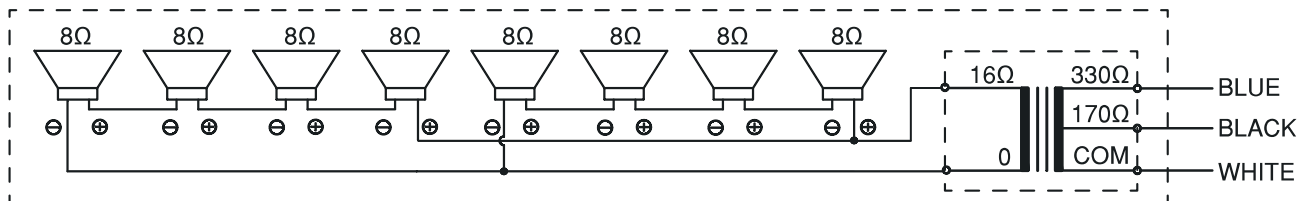
The HA-1010 is long range speaker slim array is composed of multiple horn speaker positioned in an array. It features long-range sound coverage further than conventional horn speakers, narrowly focused vertical directivity that allows excessive volume to be controlled at closer proximity, and form a continuous linear sound source, achieving uniform sound pressure with less attenuation due to distance.

3. INSTALLATION PRECAUTIONS

- This long range slim array speakers have feature a drain hole built into same panel that holds the speaker cord. For proper drainage, when installation please ensure that this panel faces down toward the ground or follow the instruction of direction label at the rear case.
- When using the other bracket, please to use TOA's optional bracket solely designed for mounting this speaker or it must have strength enough to stand the speaker weight.



4. WIRING DIAGRAM



5. SPECIFICATIONS

Model	HA-1010 Q
Rated Input	60W
Rated Impedance	170Ω (60W), 330Ω (30W)
Sound Pressure Level	114dB (1W, 1m)
Maximum Sound Pressure Level	132dB (60W, 1m)
Frequency Response	350Hz – 7kHz
Directivity Angle	Horizontal: 90° (2kHz), Vertical: 15° (2kHz)
Speaker Component	Horn speaker unit x 8
Operating Temperature	-20°C to +55°C (-4°F to +131°F)
Water Protection	IP66
Finish	Case, Panel: Aluminum, salt-resistant, paint, grey
	Front grille: Aluminum, black
Dimensions	167(w) x 1233(h) x 140.5(d) mm (6.57" x 48.54" x 5.53")
Weight	13.5kg (29.76lb)
Accessories	Washer (M10)8, Spring Washer (M10) 4, Nut (M10)4

Note

- The design and specifications are subject to change without notice for improvement.