

## DESCRIPTION

The MT-200 is a matching transformer for the HX-5 series and the HX-7 series speaker systems, and can be used for both indoor and under-eave use.

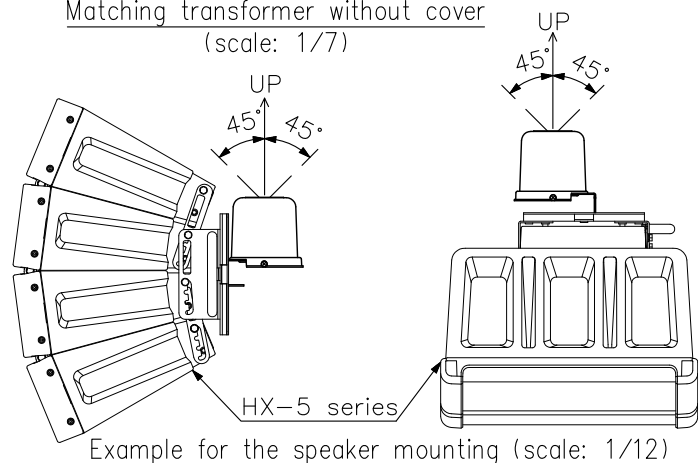
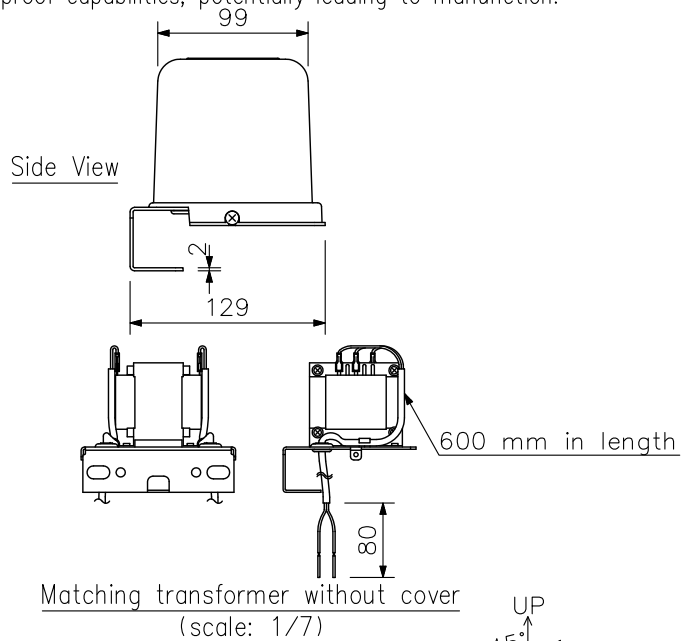
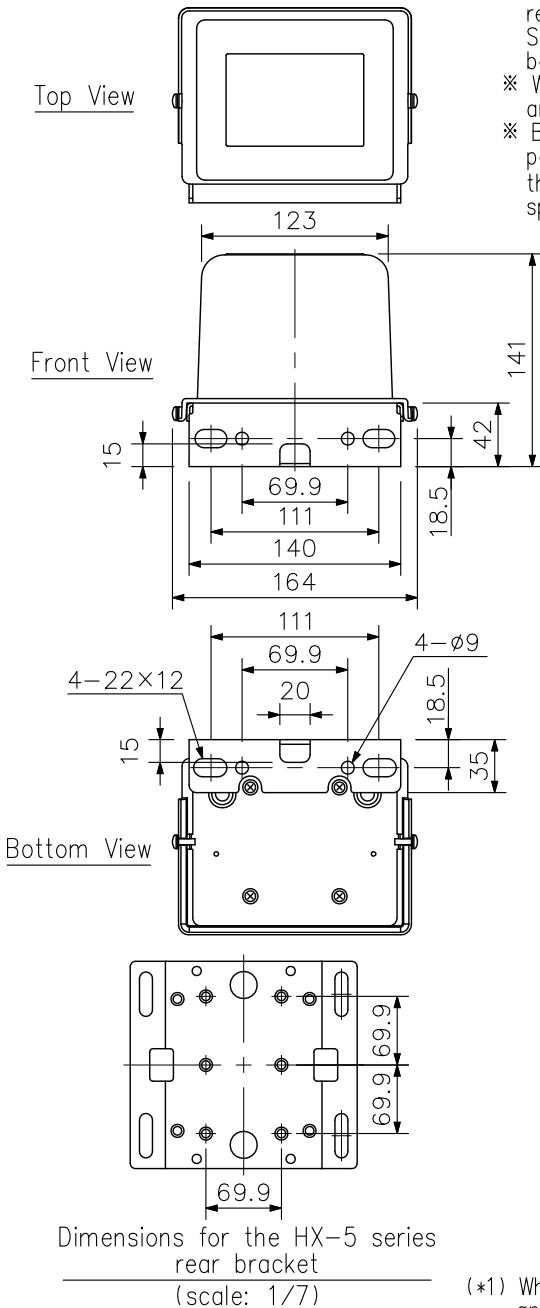
## SPECIFICATIONS

Rated Input	200 W
Primary Impedance	100 V line: 50 Ω (200 W), 83 Ω (120 W), 167 Ω (60 W) 70 V line: 25 Ω (200 W), 50 Ω (100 W), 83 Ω (60 W), 167 Ω (30 W)
Secondary Impedance	8 Ω
Water Protection	IPX4 (the tilt angle must be within 45°) (*1)
Installation Environment	Indoor installation, under-eave installation (*2)
Finish	Cover: Polypropylene Mounting bracket: Stainless steel
Dimensions	164 (W) × 141 (H) × 129 (D) mm
Weight	2.8 kg
Accessory	Speaker mounting bolt (M8) with washer ×2

(\*2) Avoid installing the matching transformer in locations close to the seashore or in indoor swimming facilities that are not well ventilated. In such locations, the bracket may be vulnerable to corrosion, eventually allowing the matching transformer to fall resulting in personal injury.

## APPEARANCE

- \* When the matching transformer is installed on the HX-5 series rear mounting plate, the optional HY-WM1 series and HY-CW1 series Speaker Mounting Brackets, and HY-ST1 Speaker Stand Adapter cannot be used.
- \* When mounting the matching transformer to the HX-7 series, an optional HY-MT7 Matching Transformer Adapter is required.
- \* Be sure to mount this matching transformer under eaves wherever possible to prevent direct exposure to rain and wind. Failure to follow this instruction could cause the matching transformer to exceed its splash-proof capabilities, potentially leading to malfunction.



(\*1) When installed under eaves, mount the MT-200 in either way that the tilt angle of its top surface is kept within 45° from the vertical axis. Exceeding this angle will deteriorate the speaker's splash-proof capability.

UNIT:mm SCALE:1/5