

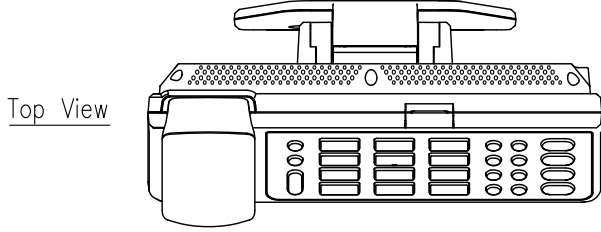
■DESCRIPTION

The N-SP80MS1 is a SIP compliant Multimedia station designed for use in combination with the common IP telephone system. Equipped with a 7" touch panel screen, it can be used for video communications, enabling you to make conversation while monitoring the camera image sent through the N-SP80VS1 SIP Video door station. It has a built-in camera, which allows video communications to be made between the same models (N-SP80MS1 units). One of the following 3 conversation methods can be selected: handset conversation, hands-free conversation, and headset conversation (a headset needs to be connected to a headset terminal).
 The N-SP80MS1 can be operated when connected to a PoE-compatible switching hub using a LAN cable. Another feature includes a multicast audio stream output function used for paging.

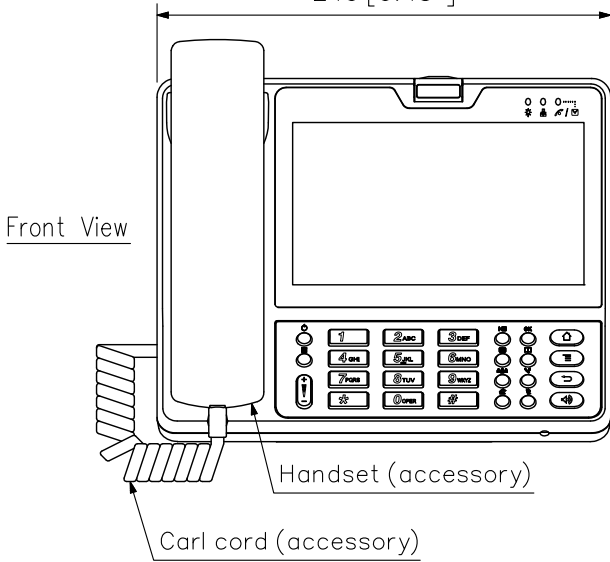
■SPECIFICATIONS

Power Supply	PoE (IEEE802.3af) or 12 V DC (use of the optional AC adapter)
Power Consumption	12 W or less
Speech Method	Hands-free or Handset or Headset conversation
Audio Bandwidth	G.722 codec: up to 7 kHz
Hands-free	Speaker: 5 cm (1.97") Cone-type, Maximum output 2 W, 8 Ω Microphone: Omni-directional electret condenser microphone
Handset	Receive path: 3.6 cm (1.42") Cone-type, Maximum output 30 mW, 32 Ω Send path: Electret condenser microphone
Headset	Speaker: 20 mW, 16 Ω/32 Ω, Ø3.5 mini jack (3P)
Display	7 inch capacitive touch screen TFT LCD, 800 × 480 pixels, 16:9 wide screen
Camera	Image device: 1/5" CMOS Number of effective pixels: 2 M pixels Maximum resolution: 1080 p Other features: Free-Rotation
Video	Image size: QCIF, QVGA, CIF, 4CIF, VGA Bit rate: 64 kbps - 2 Mbps
Network	Network I/F: 10BASE-T/100BASE-TX (Auto-Negotiation) Network protocol: UDP/TCP/IP, RTP/RTCP, ARP/RARP, NAT, NTP, IGMP, SIP, etc. Packet transmission system: Unicast, Multicast Paging: Multicast transmission ×1 Connector: RJ45 2 ports (one supports PoE (IEEE802.3af)) Quantifying bit number: Maximum 16 bits Voice encoding method: G.711 μ-law/A-law, G.722, G.729 Video compression method: H.263, H.264
External Interface	USB2.0
Installation Method	Desktop
Operating Temperature	0 °C to +40 °C (32 °F to 104 °F)
Operating Humidity	10 % to 90 %RH (no condensation)
Finish	Body, Handset: ABS resin, black
Dimensions	240 (W) × 214 (H) × 117 (D) mm (9.45" × 8.43" × 4.61") (excluding a curl cord section) ※ Numerical values are for reference only.
Weight	1.1 kg (2.43 lb)
Accessory	Handset ×1, Curl cord ×1, LAN cable ×1
Option	AC adaptor: AD-1215P, AD-5000-2

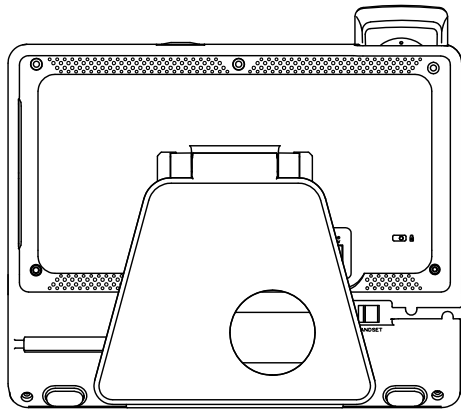
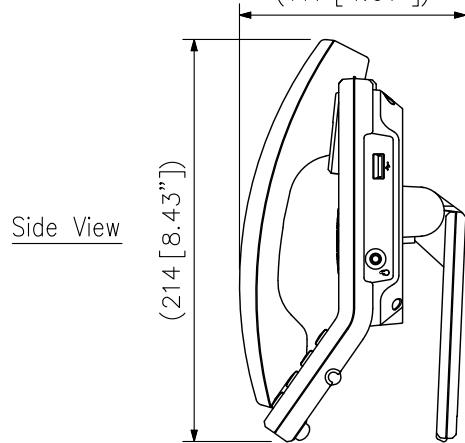
■ APPEARANCE



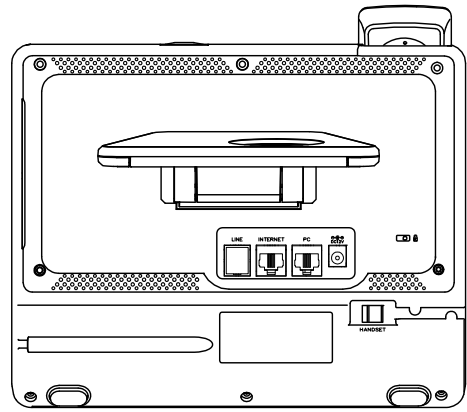
240 [9.45"]



(117 [4.61"])

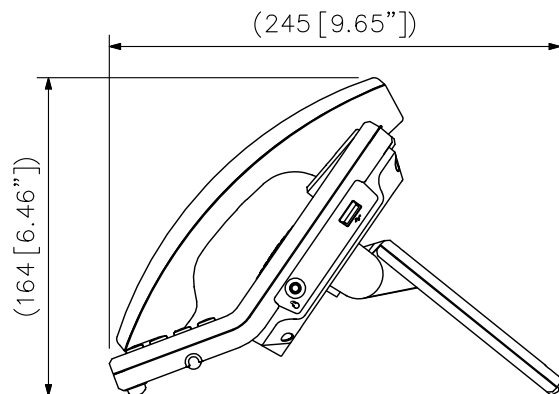


Rear View
(foot-stand closed)



Rear View
(foot-stand opened)

Figure of the unit installed



UNIT:mm SCALE:1/4

Note: Numerical values in parentheses are for reference only.