



## CENTRAL UNIT

## TS-820RC (1CE/4CE/-CN)

### DESCRIPTION

The TS-820RC is a Central Unit of the Infrared Conference System that allows easy installation and flexible layout. By connecting TS-905/907 IR Transmitter/Receiver, TS-820RC can control the Chairman and Delegate Units via wireless infrared signal. It features the installation confirmation function that allows the connection status of IR Transmitter/Receiver and Chairman/Delegate Units to be verified. The TS-820RC is also equipped with FBS (Feedback Suppression), enabling effective control of acoustic feedback. In addition the unit employs an MP3 recorder that makes it possible to record all conference contents to either a connected USB memory drive or internal memory. The system can be controlled by PC (\*1). With the use of an optional rack mounting bracket, it can be mounted in an EIA Standard equipment rack (4 unit size).

(\*1) Relevant control software is supplied on a custom-made basis.

### SPECIFICATIONS

Power Source	100 – 240 V AC, 50/60 Hz (use of the supplied AC adapter)
Power Consumption	72 W
Current Consumption	Max. 3 A DC (when 24 V DC is supplied from the accessory AC adapter)
Carrier Frequency	Reception: Audio channel 1: 7.35 MHz Audio channel 2: 8.10 MHz Audio channel 3: 8.55 MHz Audio channel 4: 9.15 MHz Control channel: 6.45 MHz Transmission: Audio channel: 1.95 MHz
Input	MIC: -60 dB (*2) , 600 Ω, unbalanced, ø6.3 mm phone jack (2P) AUX: -20 dB (*2) , 10 kΩ, unbalanced, ø6.3 mm phone jack (2P)
Output	LINE: -10 dB (*2), 10 kΩ, unbalanced, ø6.3 mm phone jack (2P) REC: -10 dB (*2), 10 kΩ, unbalanced, RCA pin jack HEADPHONES: ø3.5 mm mini jack (3P:monaural)
Equalizer Input/Output	Input: -20 dB (*2), 10 kΩ, unbalanced, RCA pin jack Output: -20 dB (*2), 10 kΩ, unbalanced, RCA pin jack
Number of Connectable Chairman/Delegate Units	64 units
Number of Connectable Infrared Transmitter/Receiver Units	Up to 4 units (with the use of distributor, up to 16 units connectable when they are all TS-905, and up to 12 units when they are all TS-907, or TS-905 and TS-907 are used in combination)
Infrared Transmitter/Receiver I/O Terminal	BNC jacks
External Control Connection Terminal	D-sub connector (9P, male)/USB-B selectable
LED Indicator	Audio signal receiving indicators 1 – 4 CH, Data signal receiving indicator, External control priority indicator, External control communication indicator, Battery indicator (flashes when a Chairman/Delegate unit's battery nears complete discharge), Recording status indicator, Format in-progress indicator, Access Indicator, Internal memory status indicator, USB memory status indicator, Remaining internal memory capacity warning indicator, Remaining USB memory capacity warning indicator, Short-circuit indicator
Record Switch	Recording start button, Recording stop button, Format button
Recording Ports	USB-A (for USB memory devices) and USB Mini-B (for PCs)
Recording Function	Recordings can be made to a USB memory device (*3) or the internal memory. Recording format: MP3 (MPEG-1 Audio Layer-3), monaural Sampling frequency: 32 kHz, Bit rate: 128 kbps
Function Switch	Number of open microphones setting switch: 1/2/3/4 Mic-off setting switch: TIME OUT ON/OFF Speech priority selector switch: FIRST (First-in-first-out priority) LATEST (Last-in-first-out priority) FIRST:FIXED NEXT:LATEST (Priority fixed for the first unit, and last-in-first-out priority for all other subsequent units.) FBS switch: AUTO/OFF/EXT
Operating Temperature	0 °C to +40 °C (32 °F to 104 °F)
Operating Humidity	90 %RH or less (no condensation)
Finish	Panel: Surface-treated steel plate, black, 30 % gloss, paint
Weight	2.8 kg (6.17 lb)
Accessory	AC adapter (Cord length: 1.8 m (5.91 ft) DC cord, and 2 m (6.56 ft) detachable AC cord)(*4) ---1
Option	Rack mounting bracket: MB-TS920

(\*2) 0 dB = 1 V

(\*3) A USB 2.0-compatible FAT32-formatted flash memory device of up to 32 GB in capacity can be used. There may be cases in which a USB flash drive cannot be used with the TS-820RC, depending on the drive's attributes or recording conditions.

(\*4) Not supplied with the TS-820RC(-CN). For the usable power supply cord and AC adapter, contact your nearest TOA dealer.

■ **APPEARANCE**

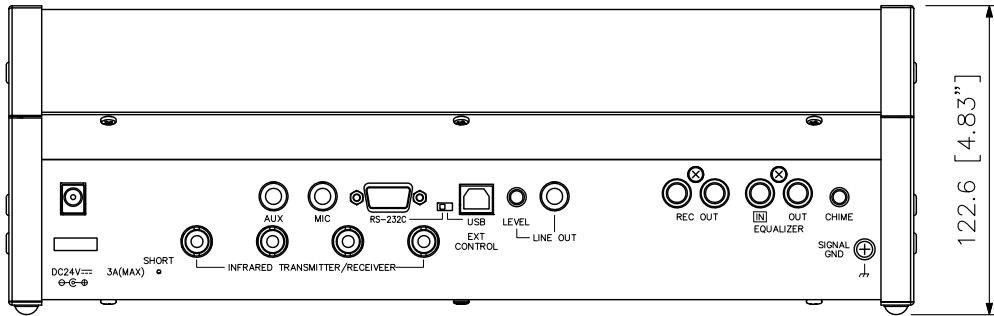


Figure as viewed from point A

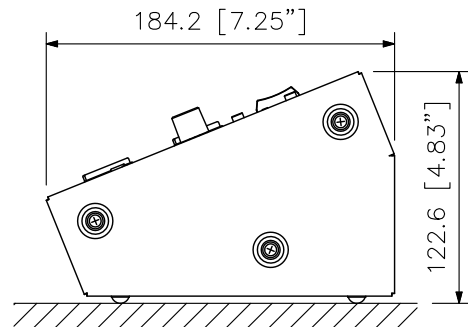
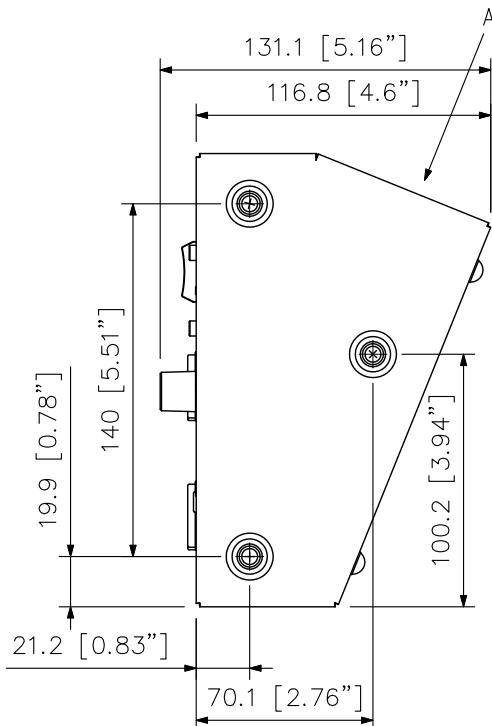
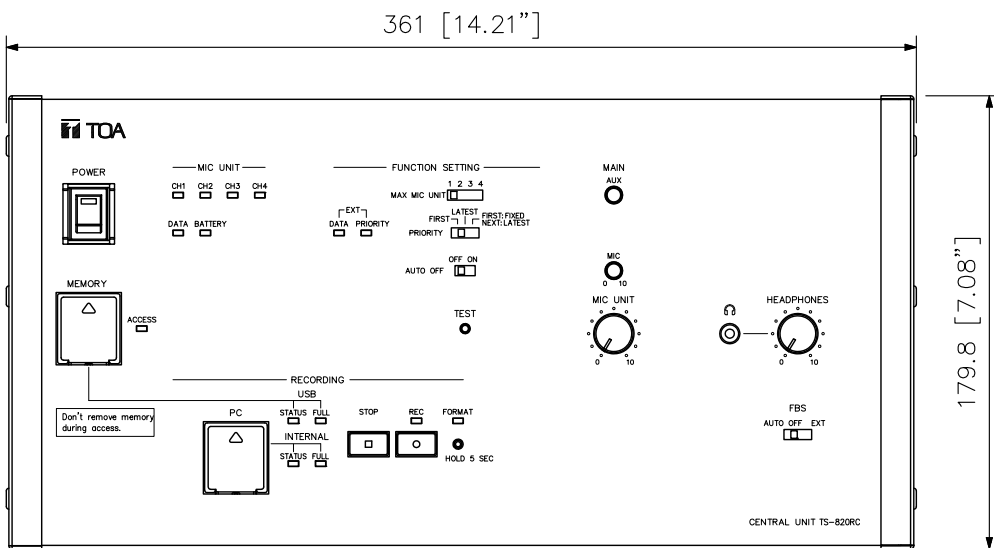


Figure of the unit installed  
(scale: 1/4)

UNIT:mm SCALE:1/3