

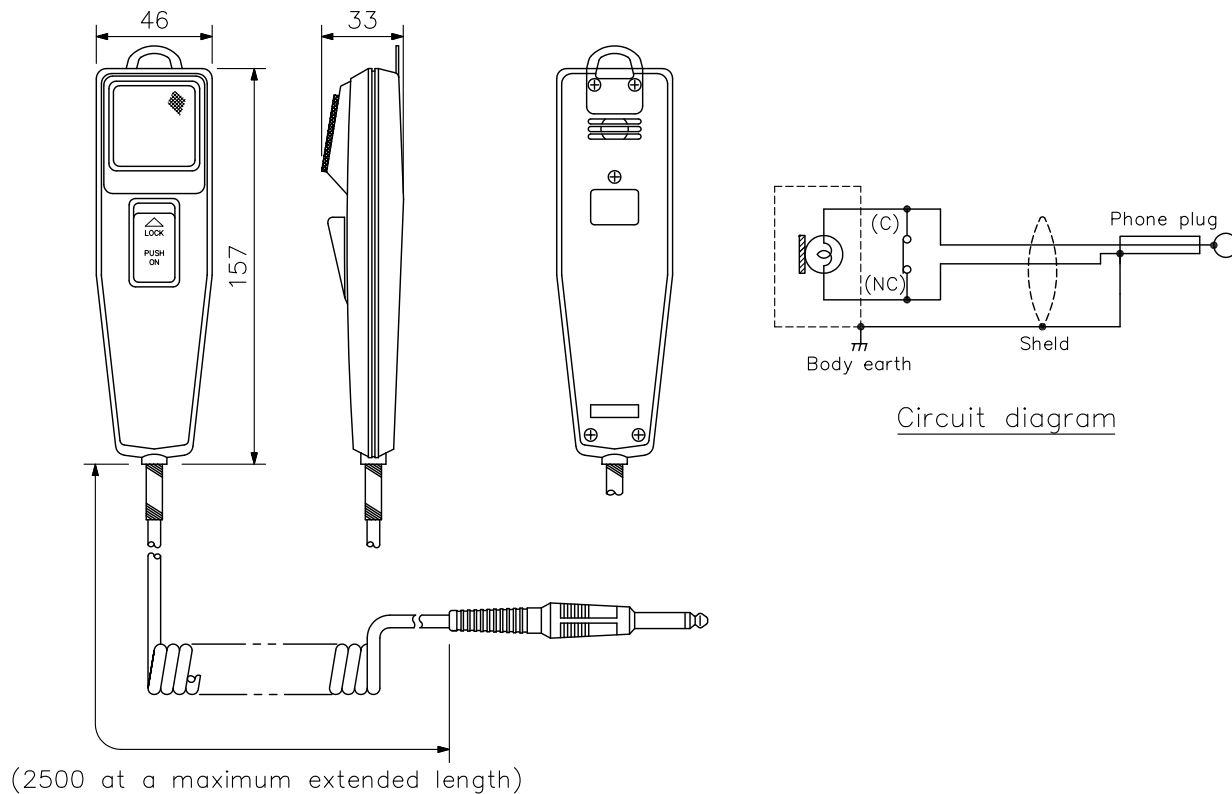
**DESCRIPTION**

The PM-120 is a dynamic and close talking microphone designed solely for paging applications.

**SPECIFICATIONS**

Type	Moving coil microphone
Directivity	Unidirectional
Frequency Response	50 Hz - 12 kHz (close-talking characteristic)
Rated Sensitivity	-56 dB (1 kHz, 0 dB = 1 V/Pa)
Rated Impedance	250 Ω, unbalanced
Cable	Coiled cable $\varnothing 6 \times 2.5$ m (at a maximum extended length)
Talk Switch	Push-to-talk switch
Finish	Front: ABS resin, matte, champagne gold Rear: ABS resin, matte, black
Weight	230 g
Option	Microphone hanger: 2202

Note: The microphone can be modified to the balanced type by changing a plug.

**APPEARANCE**


UNIT:mm SCALE:1/3