

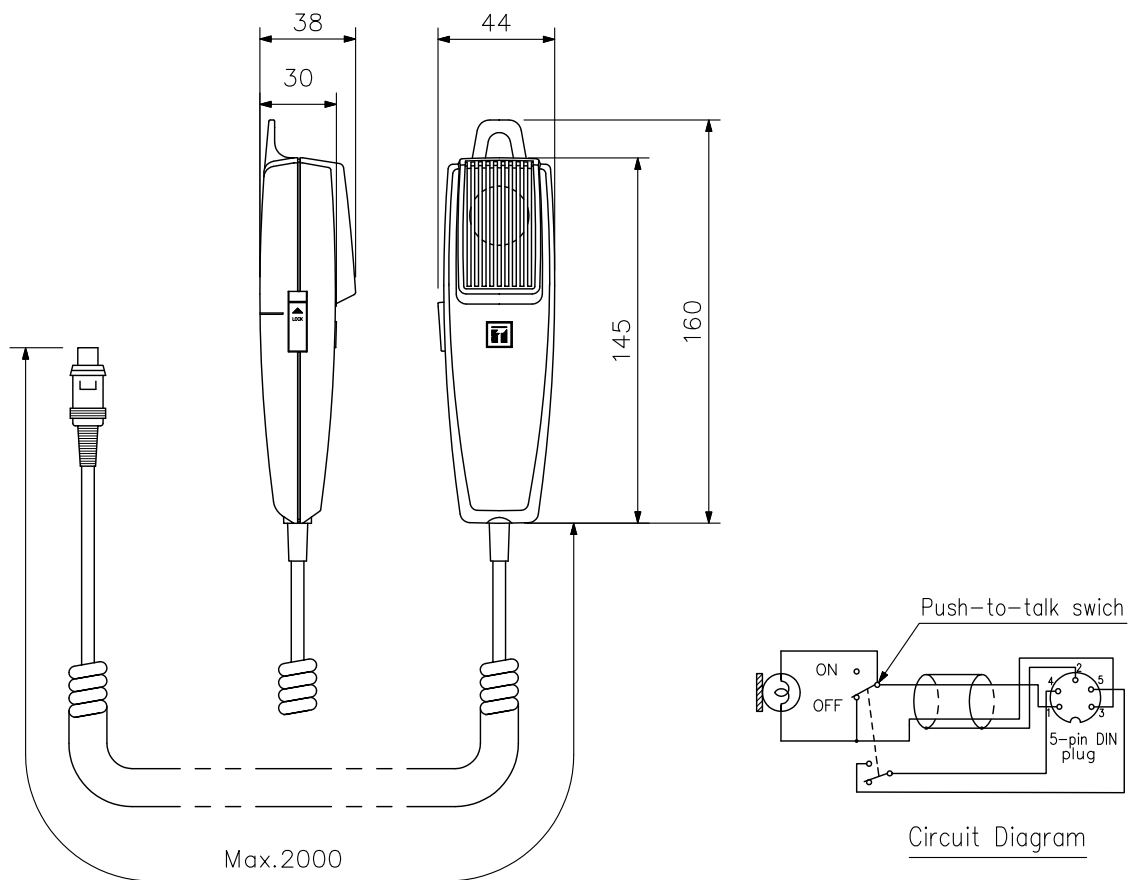
DESCRIPTION

The PM-222D is a close-talking microphone for making general announcements. It comes with a talk switch that can be locked. It is provided with the function to remotely control both the amplifier power and chime operation.

SPECIFICATIONS

Type	Moving coil microphone
Directivity	Unidirectional
Rated Impedance	600 Ω, balanced
Rated Sensitivity	-47 dB (1 kHz 0 dB = 1 V/Pa)
Frequency Response	100 Hz - 10 kHz
Cable	2-core shielded plus 2-core cable
Cable Length	2 m (when extended)
Terminal	5-pin DIN plug
Remote Switch	Make contact (linked with talk switch) 30 V DC, 500 mA or less
Talk Switch	Short-off type with lock
Finish	ABS resin, gray
Dimensions	44 (W) x 160 (H) x 38 (D) mm
Weight	200 g
Accessory	Microphone holder.....1, Metal fitting.....1, Tapping screw4X16.....2

APPEARANCE



UNIT:mm SCALE:1/3