

DESCRIPTION

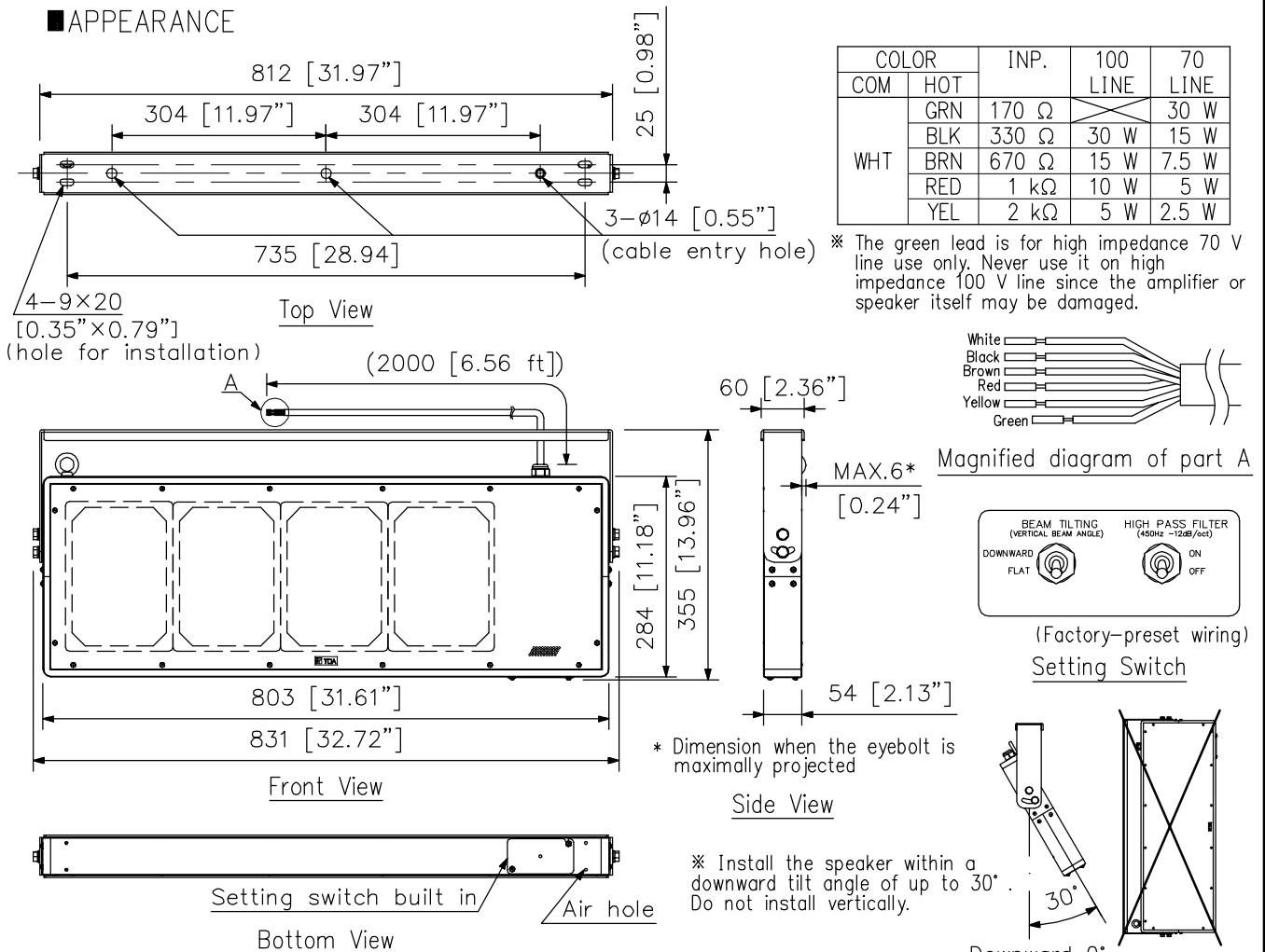
The Plane Wave Speaker features a flat speaker system equipped with plane wave units, realizing a narrow directivity pattern by radiating plane wave sound. Since the Plane Wave Speaker can deliver sound output toward a limited target area, it is suited for use in locations such as station platforms and escalator areas that require information announcements to be broadcast, and in such spaces as museums and art galleries where the reverberation time is long. A single-sided radiation type radiates sound forward only.

SPECIFICATIONS

| | |
|-----------------------|---|
| Type of Radiation | Single-sided radiation |
| Rated Input | 30 W |
| Rated Impedance | High impedance 100 V line: 330 Ω (30 W), 670 Ω (15 W), 1 kΩ (10 W), 2 kΩ (5 W) High impedance 70 V line: 170 Ω (30 W), 330 Ω (15 W), 670 Ω (7.5 W), 1 kΩ (5 W), 2 kΩ (2.5 W) |
| Sensitivity | 90 dB (1 W, 1 m equivalent measured at 4 m, 1 - 10 kHz) 87 dB (1 W, measured at 1 m, 1 - 10 kHz) (Beam tilting: FLAT, High pass filter: OFF) |
| Frequency Response | 400 Hz - 17.5 kHz (Beam tilting: FLAT, High pass filter: OFF) |
| Directivity Angle | Horizontal: 19° (2 kHz, 1/3 octave band), Vertical: 78° (2 kHz, 1/3 octave band) |
| Speaker Unit | Plane wave unit (152 × 214 mm (5.98" × 8.43")) × 4 |
| Setting Switch | Beam tilting (radiation direction) FLAT: 0° downward/DOWNWARD: 5° downward High pass filter (450 Hz, -12 dB/oct) : OFF/ON |
| Speaker Cord | φ9 mm (0.35"), 6-core cabtyre cable, 2 m (6.56 ft) |
| Water Protection | IPX4 |
| Operating Temperature | -10 °C to +50 °C (14 °F to 122 °F) |
| Finish | Enclosure, Punched net, and Mounting bracket: Stainless, light ivory, semi-gloss, paint |
| Dimensions | 831 (W) × 355 (H) × 60 (D) mm (32.72" × 13.98" × 2.36") (including mounting bracket) |
| Weight | 11.9 kg (26.23 lb) (including mounting bracket) |

Note: Do not install the unit where it is likely to be corroded in such places as indoor pools, bathrooms, or seaside.

APPEARANCE



UNIT:mm SCALE:1/10

Note:Numerical values in parentheses are for reference only.