

## DESCRIPTION

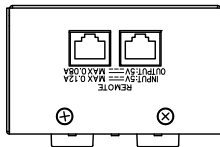
The RC-03 Remote Controller exclusively designed for use in conjunction with the MX-6224D permits ON/OFF control of speaker zones and sound effect function.

## SPECIFICATIONS

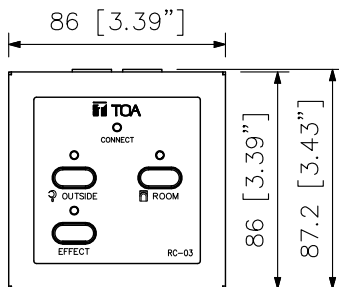
Power Source	5 V DC (supplied from MX-6224D)
Consumption current	120 mA Maximum
Terminal	RJ-45 connector
Controls	1 ROOM ON/OFF control switch 1 OUTSIDE ON/OFF control switch 1 Effect ON/OFF control switch
Indicators	CONNECTION indicator Output ON/OFF for ROOM and OUTSIDE EFFECT ON/OFF
Connection Cable	Shielded Category 5 twisted pair Straight cable for LAN (CAT5-STP) Unshielded Category 5 twisted pair Straight cable for LAN (CAT5-UTP)
Maximum cable length	200 m (656.17 ft)
Operating Temperature	0 °C to +40 °C (32 °F to 104 °F)
Operating Humidity	35 % to 80 %RH (no condensation)
Dimensions	86 (W) × 87.2 (H) × 55.3 (D) mm (3.39" × 3.43" × 2.18")
Weight	380 g (0.84 lb)
Finish	Plated steel sheet, paint, white (RAL 9016 equivalent), paint
Accessory	Sticker for Arabic indication ...

## APPEARANCE

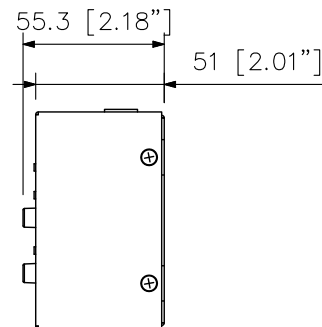
Top View



Front View



Side View



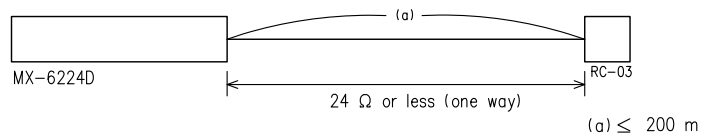
No. of Connected RC-03 Units	Total Extension Distance (*1)
1	200 m or less
2	Total of 115 m or less (*2)
3	Total of 80 m or less (*2)

(\*1) When using a cable with the following specifications:

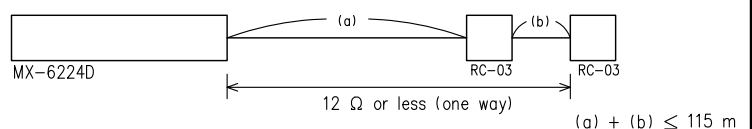
- STP Category 5 straight cable
- AWG24
- Cable resistance (one way): 93.8 Ω/km

(\*2) This table refers to the total length of cable between the unit and the RC-03, and between RC-03 units. There are no restrictions on the distance between devices.

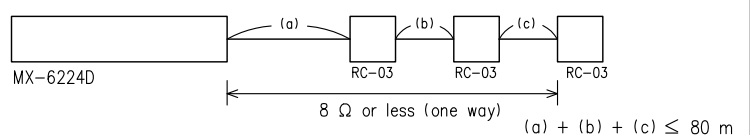
(When one RC-03 unit is connected:)



(When two RC-03 units are connected:)



(When three RC-03 units are connected:)



UNIT: mm SCALE: 1/3