

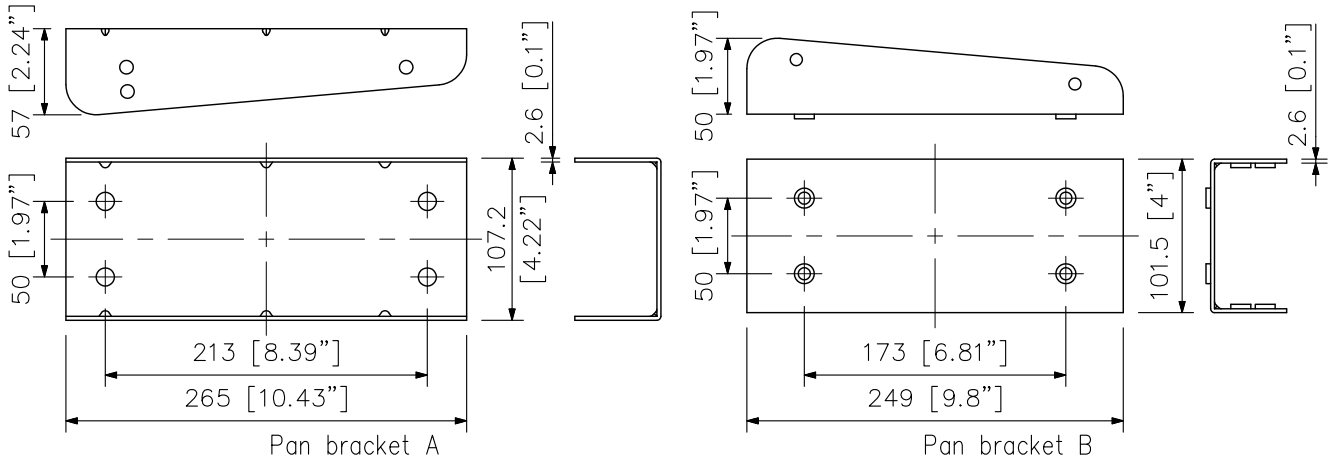
## DESCRIPTION

The SR-PB5 Wall Pan Bracket is designed to mount the SR-T5 Line Array speaker to a wall at a horizontal angle of 5° or 10° left or right. Use it in conjunction with the bracket supplied with the SR-T5.

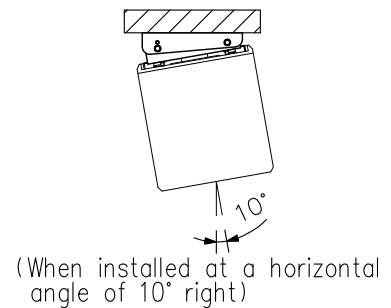
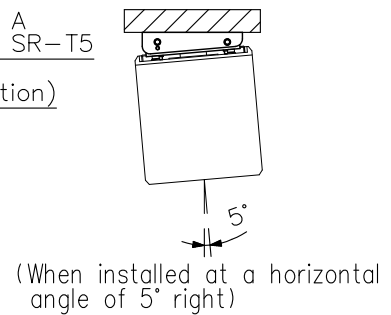
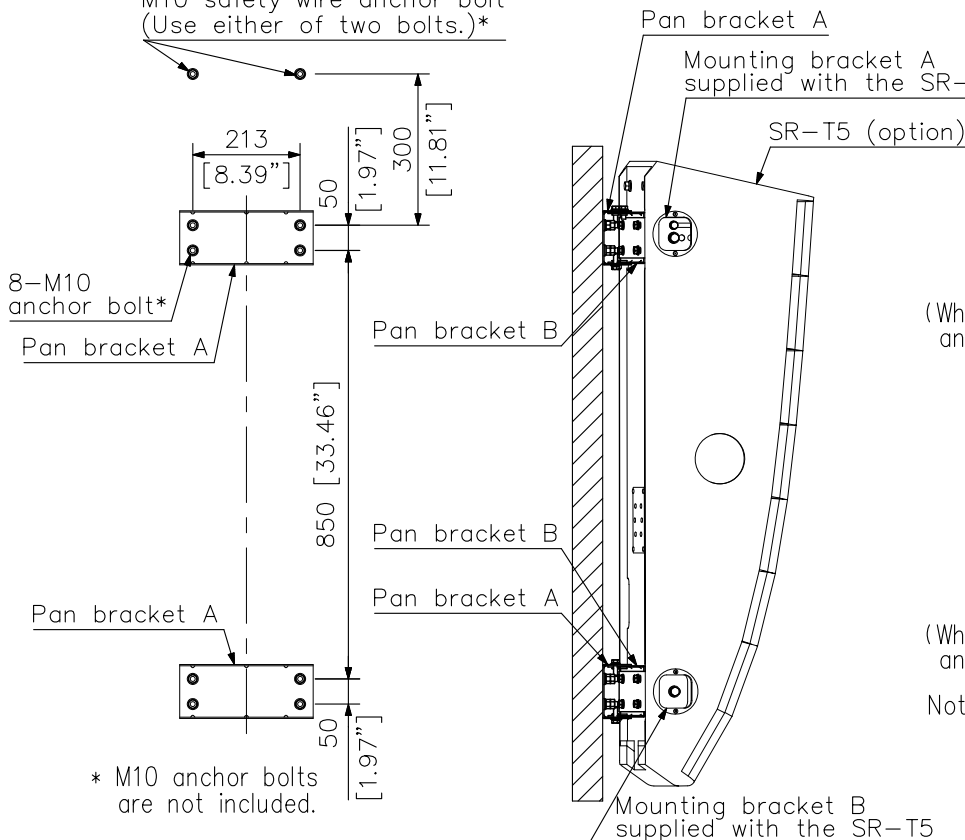
## SPECIFICATIONS

Applicable Speaker	SR-T5
Adjustable Angle Range	Horizontal (left or right): 5°, 10°
Finish	Steel plate, black, paint
Weight	4.1 kg (9.04 lb) (including accessories)
Product Composition	Pan bracket A ×2, Pan bracket B ×2
Accessory	Bracket mounting bolt ×16

## APPEARANCE



M10 safety wire anchor bolt  
(Use either of two bolts.)\*



Note: Speaker's horizontal angle can be adjusted up to 10° right when the SR-PB5 is installed as shown above. When facing the speaker toward left, position the SR-PB5 upside down.

Mounting bracket installation view  
(scale: 1/15)

Mounting example  
(Before attaching the SR-T5's side covers)  
(scale: 1/15)

Mounting example  
(top view)  
(scale: 1/20)

UNIT:mm SCALE:1/5