

DESCRIPTION

The WT-5810 is a PLL-synthesizer controlled double superheterodyne diversity tuner designed to be used with a UHF wireless system. It employs a compander noise reduction circuit to minimize the influence of ambient RF noise.

SPECIFICATIONS

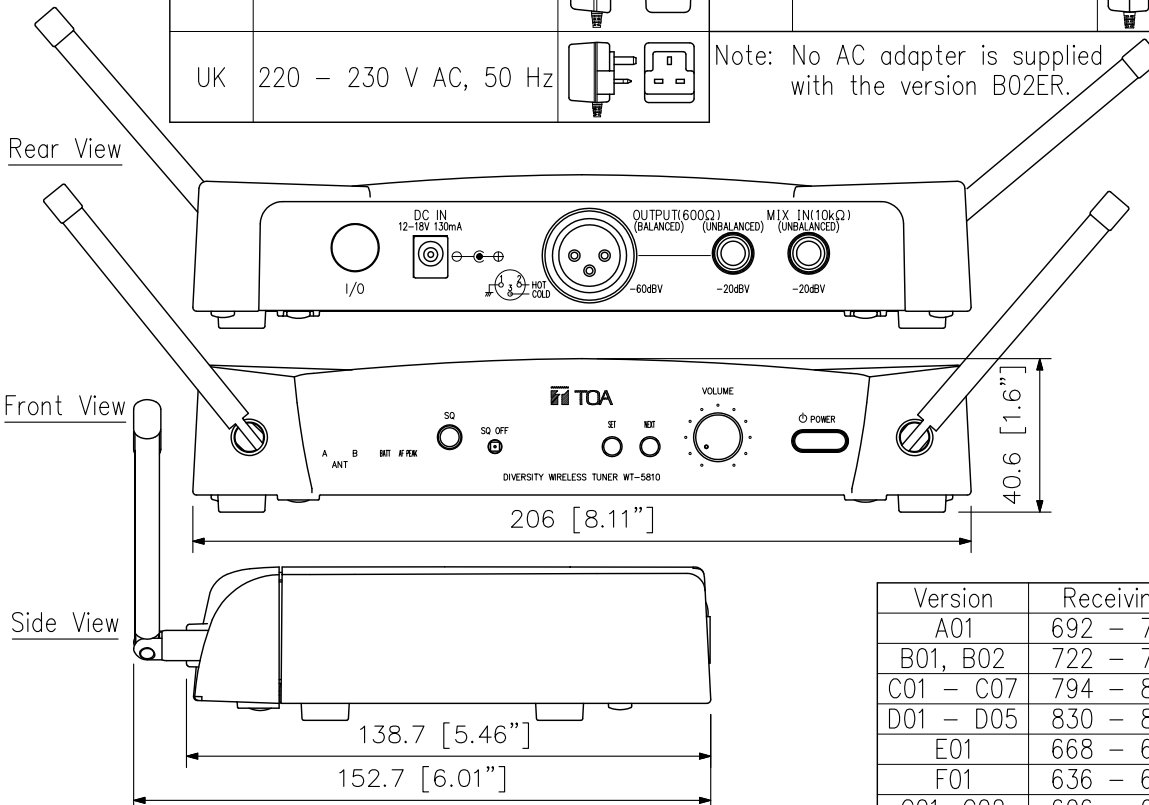
(*1) 0 dB = 1 V

| | |
|-----------------------|--|
| Power Source | AC mains (supplied AC adapter must be used) |
| Power Consumption | 130 mA (12 V DC) |
| Receiving Frequency | 576 - 865 MHz (*2), UHF |
| Channel Selectable | 16 channels |
| Receiving System | Double super-heterodyne |
| Diversity System | Space diversity |
| Mixing Output | MIC: -60 dB (*1), 600 Ω, balanced, XLR-3-32 type connector LINE: -20 dB (*1), 600 Ω, unbalanced, phone jack |
| Mixing Input | -20 dB (*1), 10 kΩ, unbalanced, phone jack |
| Antenna | Whip antenna |
| Receiving Sensitivity | 90 dB or more, Signal to Noise ratio (20 dBμV input, 40 kHz deviation) |
| Squelch Sensitivity | 16 - 40 dBμV variable |
| Squelch System | Using together of noise SQ, carrier SQ and tone SQ |
| Tone Frequency | 32.768 kHz |
| Indicator | ANT A/B, Audio (peak), Battery alarm, Channel number |
| Channel Check | Usable frequencies scanning |
| Signal to Noise Ratio | 104 dB or more (A-weight, unbalanced output) |
| Harmonic Distortion | 1 % or less (typical) |
| Frequency Response | 100 Hz - 15 kHz, ±3 dB |
| Operating Temperature | -10 °C to +50 °C (14 °F to 122 °F) |
| Operating Humidity | 30 % to 85 %RH (no condensation) |
| Finish | Resin, black |
| Dimensions | 206 (W) × 40.6 (H) × 152.7 (D) mm (8.11" × 1.6" × 6.01") (excluding antenna) |
| Weight | 590 g (1.3 lb) |
| Accessory | AC adapter (*3)×1 |

APPEARANCE

(*3)

| Version | AC Adapter | Version | AC Adapter |
|---------|-----------------------|---|-----------------|
| US | 120 V AC, 60 Hz | ER | 230 V AC, 50 Hz |
| CN | 220 V AC, 50 Hz | AS | 240 V AC, 50 Hz |
| UK | 220 - 230 V AC, 50 Hz | Note: No AC adapter is supplied with the version B02ER. | |



(*2)

| Version | Receiving Frequency |
|-----------|---------------------|
| A01 | 692 - 722 MHz, UHF |
| B01, B02 | 722 - 752 MHz, UHF |
| C01 - C07 | 794 - 830 MHz, UHF |
| D01 - D05 | 830 - 865 MHz, UHF |
| E01 | 668 - 698 MHz, UHF |
| F01 | 636 - 666 MHz, UHF |
| G01, G02 | 606 - 636 MHz, UHF |
| H01 | 576 - 606 MHz, UHF |

UNIT: mm SCALE: 1/2