

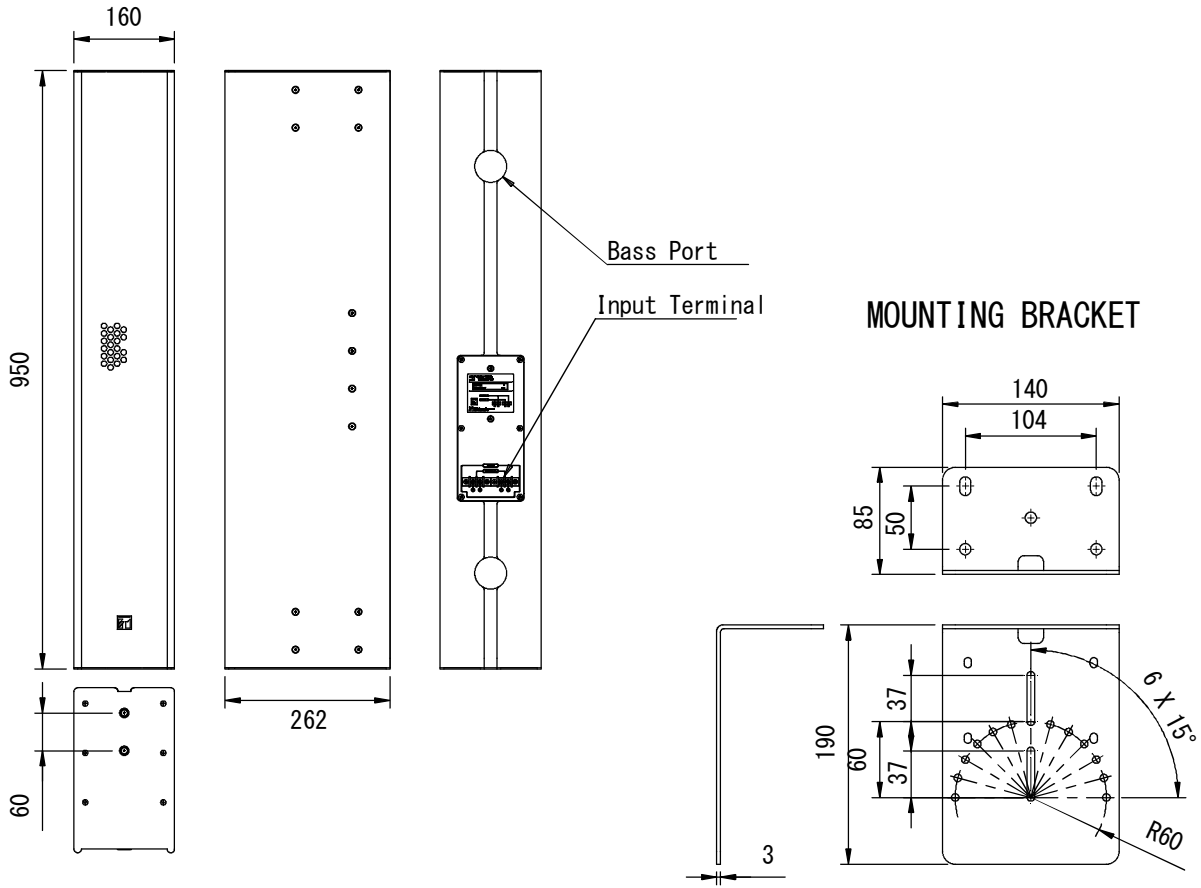
■ DESCRIPTION

TOA Slim Array Speaker is a two way speaker which contain 32 speakers element, 8x 10cm woofer and 24x 2.5cm dome tweeter. Driver is installed vertically in order to create a linear sound source for indoor use, such as house of worship, lecture theater or multi purpose hall.

■ SPECIFICATIONS

Enclosure	Bass Reflex Type			
Max Input Power	Continuous	: 240 W		
	Program	: 480 W		
Rated Impedance	8 Ω			
Sensitivity	94 dB (1 W, 1 m)			
Frequency Response	95 - 20,000 Hz			
Crossover Frequency	2500 Hz			
Directivity	Horizontal : 100°, Vertical : 5°			
Speaker Component	Low Frequency	: 10 cm (4") Cone Type Woofer x8		
	High Frequency	: 2.5 cm (1") Balanced Dome Tweeter x24		
Input Connector	M4 Screw Terminal x 2			
Operating Temperature	-10° ~ +50° C			
Finish	Enclosure	: White Painted MDF Board		
	Net Grille	: White Painted SPCC Punched Net		
Dimensions	160 (W) X 950 (H) x 262 (D) mm			
Weight	17 kg			
Accessories	Mounting Bracket x 2			
Option	Flying Bracket	: SR-FB4	Stand Adaptor	: SR-SA4
	Wall Tilt Bracket	: SR-TB4	Floor Stand	: SR-FS4
	Extension Plate	: SR-EP4	Matching Transformer	: MT-S0601
	Wall Mounting Bracket	: SR-WB4	(for High Impedance)	

■ APPEARANCE



UNIT:mm SCALE:1/12

Date: Dec 16, 2013