

SPEAKER BRACKET

HY-S60W AS

The HY-S60W AS stacking bracket is designed to exclusively stacking slim array speaker, it is allow 2 pieces of TZ-S60W AS to be stack in order to reach wider sound directivity. The bracket is designed for indoor use.

1. SAFETY PRECAUTIONS

- Prior to installation or use of the speaker bracket, please read carefully the instruction manuals.
- You must thoroughly understand the safety precautions and important safety warnings stated in the Installation manual.
- After reading, please keep the instruction manual for future use at any time.

WARNING

Indicates a dangerous situation, improper action may result in death or serious injury.

CAUTION

Indicates potential danger, improper action may result in minor injury or equipment damage.

WARNING

Installing the speaker unit with speaker brackets

- Mount the unit on a location strong enough to support the weight of the unit and speaker bracket. Doing otherwise may cause the speaker unit to fall and result in personal injury / equipment damage.
- Do not apply other methods to mount the speaker bracket other than the method specified in the installation manual. speaker unit may fall and cause personal injury.
- Use the screw compatible with the composition and structure of the wall. Doing otherwise may cause the speaker to fall and result in personal injury.
- Tighten each screw securely. Ensure no loose bolt after speaker unit is mounted to prevent it from falling and causing personal injury.
- Do not mount on a location exposed to constant vibration because it may dismount or drop the speaker.
- The product is designed for in-door use therefore do not use it outdoors. Doing otherwise may bring damage to the speaker or cause it to fall, resulting in personal injury.
- Do not installing or placing the unit on locations that are not stable, like on fragile table or on slanted surface. Doing otherwise may cause the speaker unit to fall and result in personal injury.
- Do not apply anti-rust lubricant as it will damage the wood when applied and cause the speaker unit to fall, result in personal injury.

⚠ CAUTION

When mounting Speaker Bracket

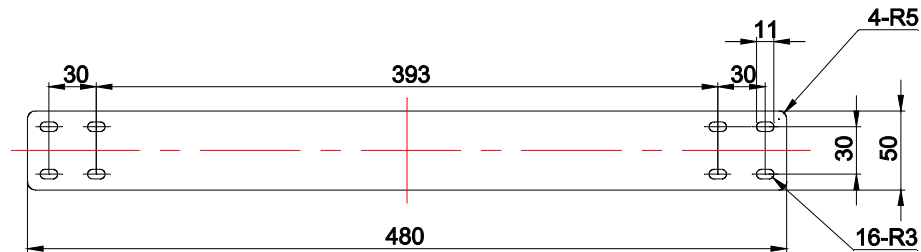
- When installation the speaker bracket required 2 or more people to handle it, If the unit fall and result in personal injury.
- Avoid the sharp edge of the unit to prevent any injury.
- Conduct regular check to detect any damage to the unit or corrosion to the speaker bracket as early as possible. Failure to do so may cause the speaker to fall, result in personal injury.

2. PRECAUTIONS BEFORE INSTALLATION

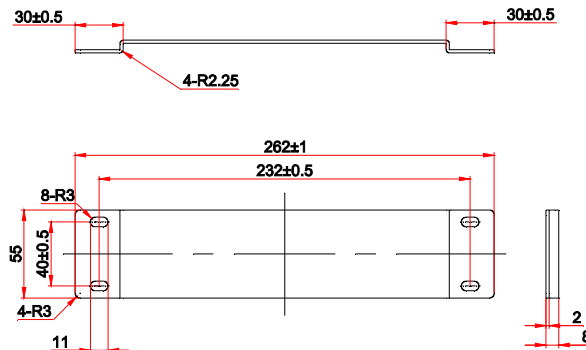
Adverse effects of weather allows the speakers bracket to be damaged, if neglected can cause the speaker to fall and result in personal injury.

3. SPEAKER BRACKET

3.1. Rear Stack Bracket



3.2. Side Stack Bracket



4. INSTALLATION

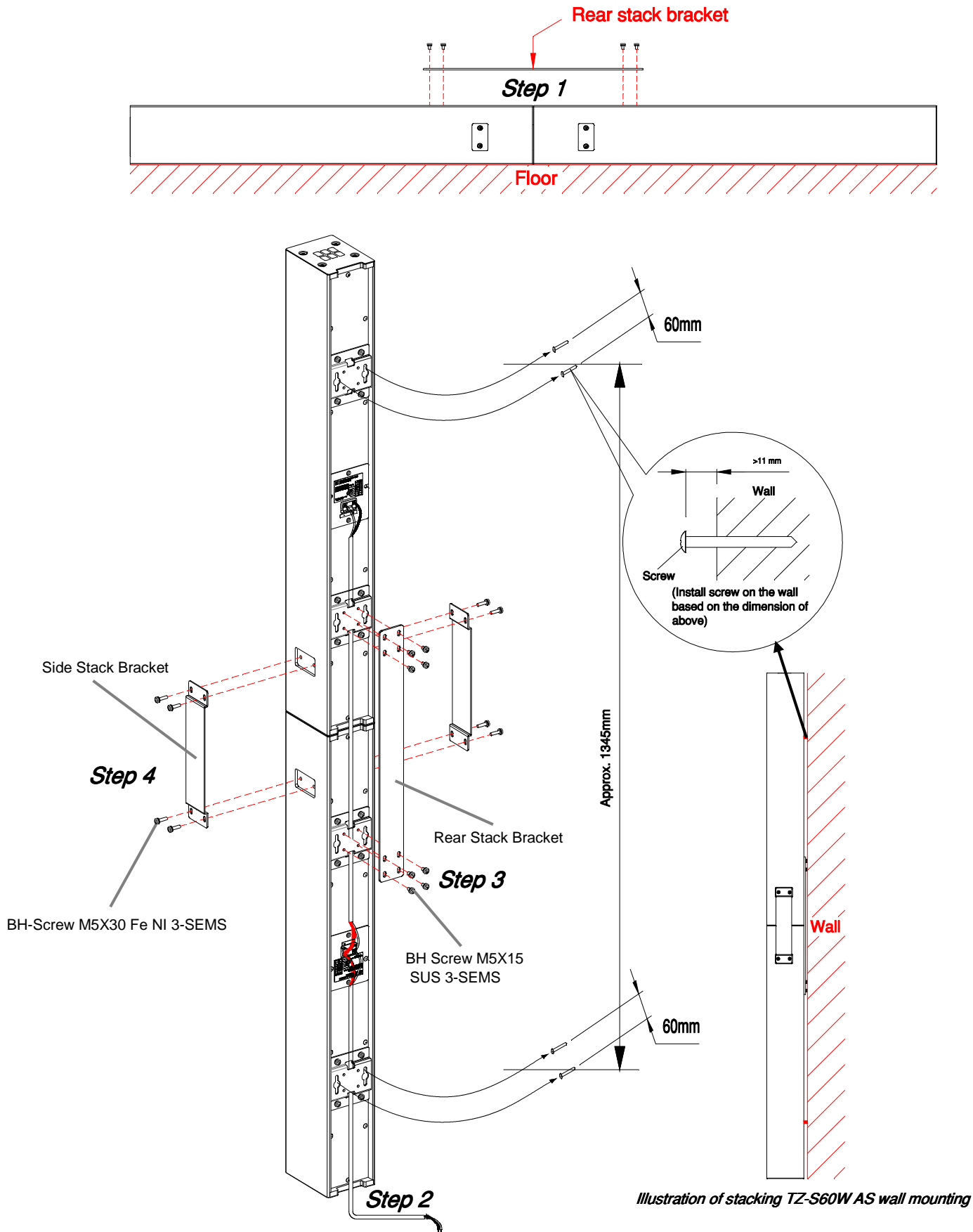
When stacking 2 pieces of speakers, join the bottom side of each speaker.

- Step 1.** join the bottom side of each speaker, by placing the speakers on the floor (refer to below illustration).
- Step 2.** Connect the speaker cable to input terminal of the two speakers, where the cable must pass through the hole in the wall bracket so that the cable do not obstruct the speaker from coinciding with the wall, and match the impedance to be used (Low impedance or High impedance)
“ Do not connect low impedance to high impedance, because it can cause damage to speakers or amplifiers that are used ”.
- Step 3.** Install rear stack bracket using the screws provided (BH Screw M5X15 SUS 3-SEMS).

Step 4. Release the 4 pieces of screws on the right and left side of the speakers, and use the screws for installing the side stack brackets on the right and left side.

Step 5. Install 4 pieces of screws, two screws should be paralleled above the other 2 screws. The width distance between the 2 screws is 60mm, height distance is approximately 1345mm between the two screws above and below, and the depth distance of each screw is more than 11mm from the wall surface. (refer to below illustration).

“ When speakers are stacked, direction is not adjustable ”



5. SPESIFICATION

Finish	SPCC, white, semi-gloss, paint	
Maximum Speaker Load	17 kg (37.38 lb)	
Weight	Rear Stack Bracket	0.55 kg (1.21 lb)
	Side Stack Bracket	0.246 kg (0.54 lb)
Aplicable Speaker (option)	TZ-S60W AS	

Note : The design and specifications are subject to change without notice for improvement.