

## DESCRIPTION

The DH-120 features a long horn which permits sounds to easily pass through and is ideal for providing public address information. It is designed to be used in conjunction with 2 driver unit, and has an internal anti-bird net to prevent insects and birds from getting into the unit.

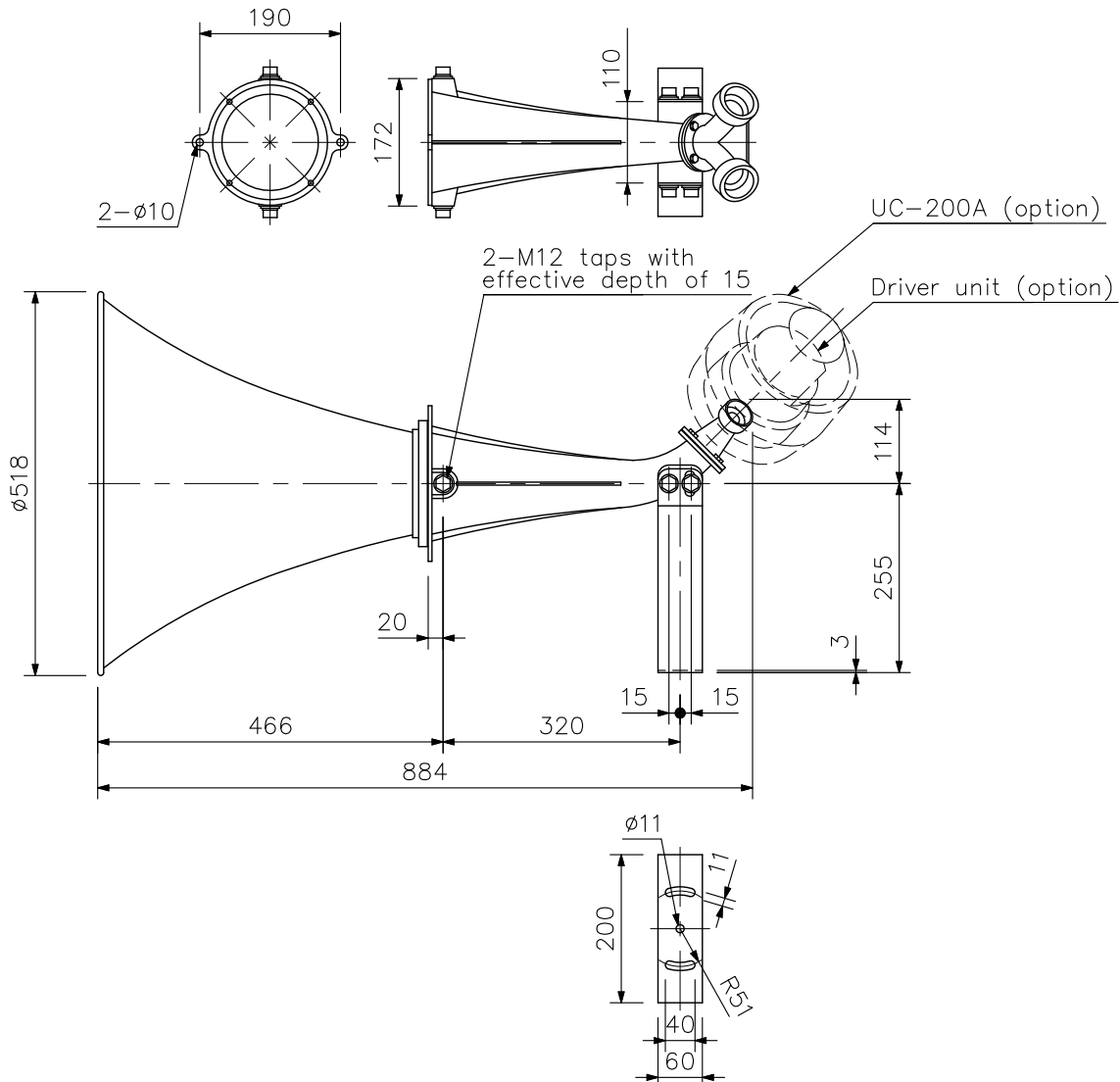
## SPECIFICATIONS

Applicable Drivers	TU-631, TU-631M, TU-651, TU-651M, TU-660, TU-660M
Sensitivity	110 dB (1 W, 1 m) (When operated with a driver)
Frequency Response	180 Hz - 6 kHz (When the TU-631, TU-631M, TU-651 or TU-651M is used) 180 Hz - 8 kHz (When the TU-660 or TU-660M is used)
Driver Coupling	1 - 3/8 18 threads (inch screw)
Variable Installation Angle	Vertical: +10°, -20° (when locally procured mounting bracket is used)
Finish	Horn A: Aluminum, ivory, powder coating L-shaped adapter and Adapter: Aluminum, ivory, powder coating Bracket: Steel plate, ivory, powder coating
Dimensions	ø518 × 884 (D) mm
Weight	5.3 kg
Accessory	Stainless steel bolt for assembly ×1 set, Gasket ×1 set, Anti-bird net ×1 set

### Note

- (1) An optional UC-200A cover protects the driver unit from the rain, snow, sand, sunlight, and salt water.
- (2) Only the bracket does not ensure the sufficient strength. Prepare separately a bracket mountable utilizing 2 M12 screw taps.

## APPEARANCE



UNIT: mm SCALE: 1/10