

### DESCRIPTION

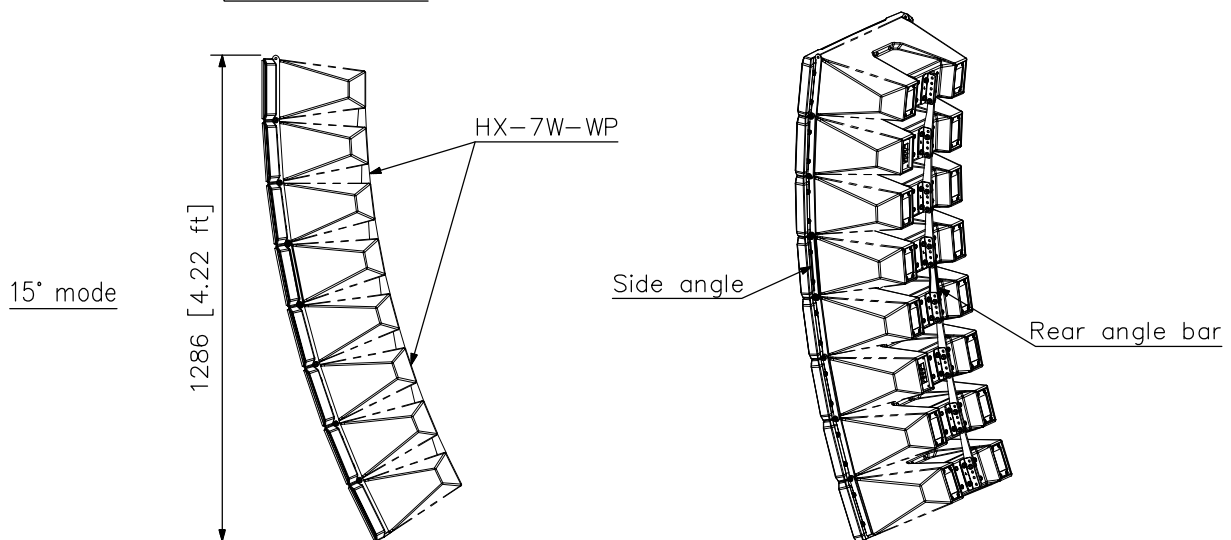
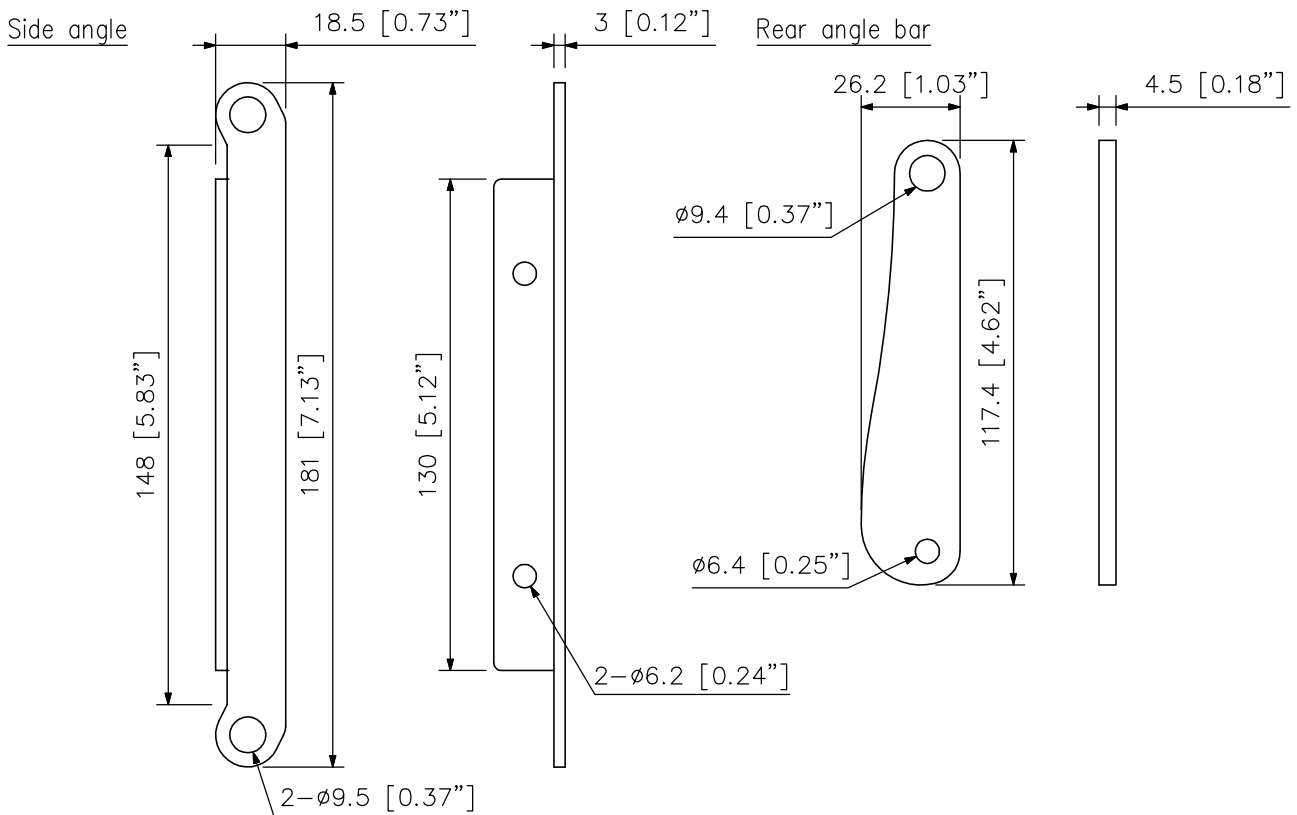
The HY-CN7W-WP is used to join 2 HX-7W-WP speaker systems, typically for the purpose of achieving better speaker directivity control in lower frequencies. Such directivity control helps achieve clearer and longer-rangesound reproduction in locations where sound efficiency may be hampered by conditions like long reverberation time or a high level of background noise. This bracket is designed for outdoor use.

### SPECIFICATIONS

Finish	Stainless steel, white, semi-gloss, paint
Weight	300 g (0.66 lb)
Accessory	Spacer (golden) ...2, Spacer (black) ...1, Rubber ring ...2, Flange nut...2, Rear angle bar mounting bolt ...2, Side angle mounting bolt ...2
Product Composition	Side angle ...2, Rear angle bar ...1

Note: Every speaker module must be aimed horizontally or down to keep the weather resistant capability.

### APPEARANCE



Speaker mounting example

UNIT: mm SCALE: 1/2